

SATATYA MIDR80FL28CWS

8MP IR Dome Camera with 2.8mm Lens



SATATYA MIDR80FL28CWS
8MP IR Dome Camera with 2.8mm Lens

Matrix Professional Series Dome IP Cameras are built using superior components such as Sony STARVIS sensor and high MTF lens to offer unmatched image quality especially during the low light conditions. Powered by True WDR algorithm, these cameras offer consistent image quality even in highly varying light conditions. Built in intelligent analytics including Motion Detection, Intrusion Detection, Trip Wire, etc. ensure real-time security. Moreover, H.265 compression and Automatic Motion based Frame Rate Reduction save bandwidth and storage up to 50%.

USP



SONY STARVIS
SENSOR



H.265
COMPRESSION



IVA



HIGHER FIELD
OF VIEW



SMART
STREAMING



ADAPTIVE
STREAMING



TRUE WDR



NAS

CERTIFICATION



SATATYA MIDR80FL28CWS

8MP IR Dome Camera with 2.8mm Lens



TECHNICAL SPECIFICATIONS	
IMAGE SENSOR	
Resolution	8 MP (3840 x 2160)
Sensor Type and Size	1/2.8" SONY - CMOS 8MP Active Pixel Progressive Scan, Back Illuminated Image sensor (STARVIS Series)
LENS	
Minimum Illumination	Color - 0.01 Lux @ F1.2 (AGC ON) Monochrome - 0 Lux
Focal Length	2.8mm
Focus Range	0.3m to infinity
Field of View (FOV)	HFOV – 106.9° VFOV – 56.9° DFOV – 127.9°
Lens Mount	M12
Focus	Fixed focus
Aperture (F#)	F 1.6
Iris Type	Fixed
IR Range	Up to 30m
IR Led Wavelength	850nm
IR Switching	Auto/ Manual
HARDWARE SPECIFICATIONS	
Camera Adjustment Angle	Pan: 0° to 330° Tilt: 0° to 75° Rotate: 0° to 330°
IMAGE AND VIDEO	
No of Stream Profiles	4
Stream Profiles	Profile 1: 4K @30fps (H.265/H.264) Profile 2: D1 @30fps (H.265/H.264) Profile 3: 3MP @10fps (H.265/H.264/MJPEG) Profile 4: 2MP @15fps (H.265/H.264/MJPEG)
Available Resolutions	3840 x 2160, 3200 x 1800, 2592 x 1944, 2592 x 1520, 2048 x 1536, 1920 x 1080, 720p, D1, VGA, 2CIF, CIF
Max Resolution	3840 x 2160
Bitrate	128 kbps-16Mbps
Bitrate Type	CBR, VBR
Video Compression	H.265, H.264, MJPEG`
Frame Rate	1-30fps

SATATYA MIDR80FL28CWS

8MP IR Dome Camera with 2.8mm Lens



Shutter Speed	1/15s - 1/100000s
Adaptive Streaming	Yes
ONVIF Profiles	S, G and T
Alarm Recording	Pre and Post
Motion Recording	Yes
Video Parameters	Snapshot, Region of Interest (ROI), BLC, Day/Night Settings, Dynamic FPS
Privacy Masks	8
WDR	True WDR (120dB)
SNR	>70dB
Image Enhancement	Saturation/ Contrast/ Sharpness/Brightness/Auto Exposure/ HVS-Forensics/ Smart IR
DNR	2D &3D
Video Analytics	Motion Detection, Tamper Detection, Trip/No TripDetection, Object Intrusion/Zone Intrusion
ALERTS	
IP Conflict	Yes
Network Disconnect	Yes
Storage Full	Yes
Time Triggered	Yes
EVENTS AND ACTIONS	
Upload Image	NAS, FTP
Upload Clip	NAS, FTP
Notifications	E-mail, SMS, TCP
PROTOCOLS SUPPORTED	
Supported protocols	TCP/IP, HTTP, HTTPS, ARP, DSCP, QoS, DHCP, DNS, DDNS, RTP, RTCP, RTSP, PPPOE, SMTP, NTP, HTTPS, TLS/SSL, FTP, ICMP, IGMP, UDP, 802.1x, SNMP, UPnP, Bonjour
Web Viewer	Supported in IE 8.0-11.0, Firefox 15.0-47.0, Chrome 20.0-54.0
Browser	IE, Chrome, Mozilla
OPERATING PARAMETERS	
Power Supply	12V (DC); 802.3af (PoE)
Power Consumption	Maximum 8W
Operating Humidity	Less than 95% RH (non-condensing)
Operating Temperature	-30°C to 60°C
Storage Temperature	-30°C to 60°C

SATATYA MIDR80FL28CWS

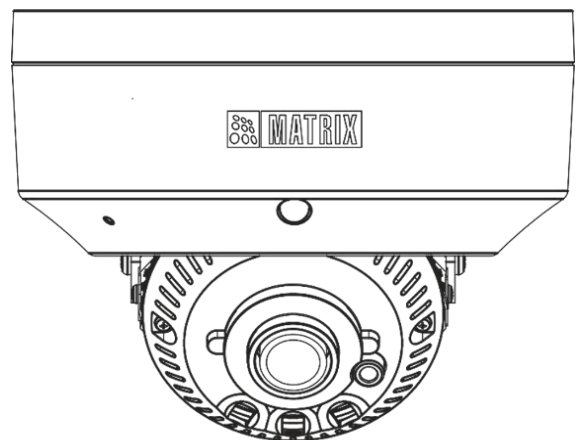
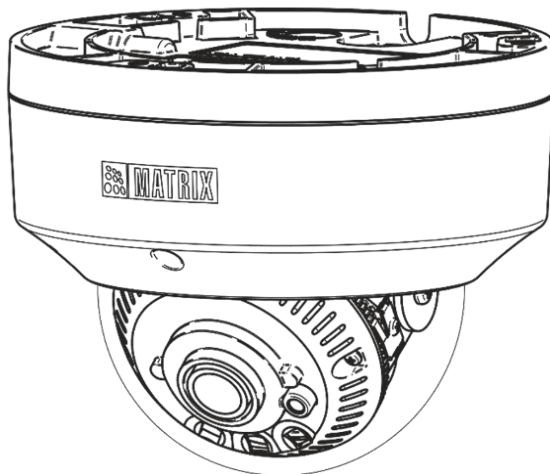
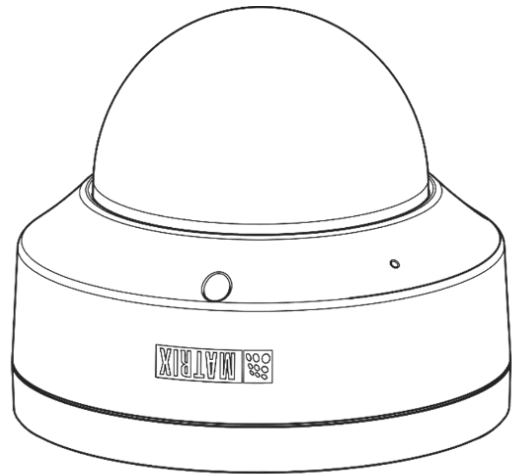
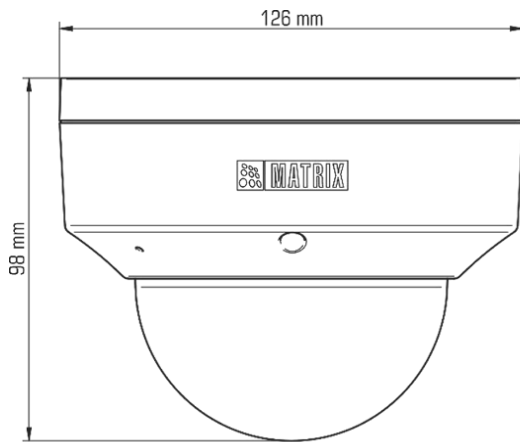
8MP IR Dome Camera with 2.8mm Lens



PHYSICAL PARAMETERS	
Communication interface	10Base-T/100BaseTX Ethernet (RJ-45)
Weight	740 grams
Color	Infinity White
Dimensions	Φ126mm x 98mm
Storage	NAS
Certifications	BIS, CE, IP67, FCC Part-15 Subpart - B, ONVIF S & G, IK10

Specifications are subject to change without prior notice

DIMENSIONS (in mm)



SATATYA MIDR80FL28CWS

8MP IR Dome Camera with 2.8mm Lens



ABOUT MATRIX

Established in 1991, Matrix is a leader in security and telecom solutions for modern businesses and enterprises. Matrix, an innovative, technology driven and customer focused organization, is committed to keep pace with the revolutions in security and telecom industries. With more than 40% of its human resources dedicated to the development of new products, Matrix has launched cutting-edge products such as Unified Communications, IP-PBX, Universal Gateways, Convergence, VOIP Gateways, GSM Gateways, IP Video Surveillance, Access Control and Time-Attendance. These solutions are feature-rich, reliable and conform to the international standards. Having global footprints in Europe, North America, South America, Africa and Asia through an extensive network of more than 1000 system integrators, Matrix ensures that the products serve the needs of its customers faster and longer. Matrix has gained trust and admiration of customers representing the entire spectrum of industries. Matrix has won many national and international awards for its innovative products.



MATRIX COMSEC

Head Office

394 – GIDC, Makarpura,
Vadodara – 390 010,
India.

Ph: +91 265 613 7222

E-mail: Inquiry@MatrixComSec.com

Factory

19 – GIDC, Waghodia,
Dist. Vadodara – 391 760, India.
Ph: +91 265 613 7222

MATRIX COMSEC – North America

2 Wickstead

Crt, Brampton,

Ontario – L6R 1N8.

Ph: (+1) 408-643-0581 (USA)

Ph: (+1) 437-266-1005 (Canada)

www.MatrixVideoSurveillance.com